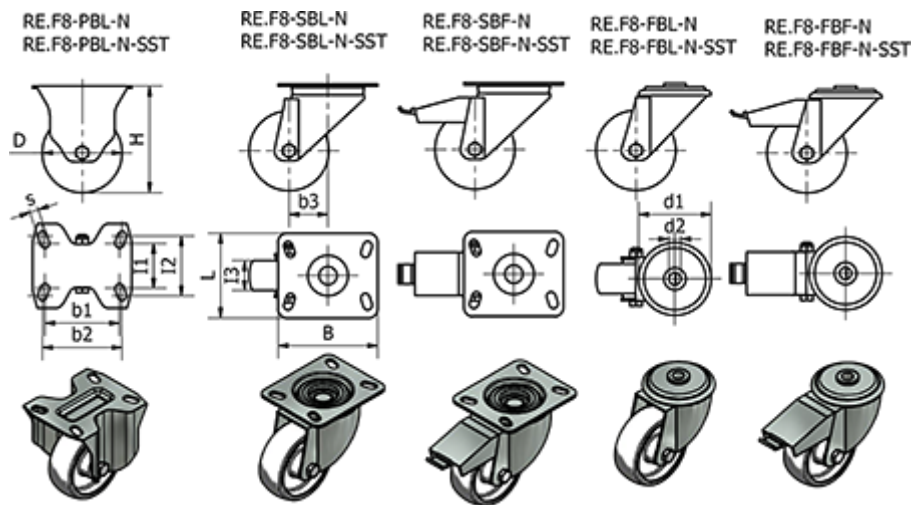


Article number: 2314450566

Description: E+G polyamide wheel

RE.F8-125-SBL-N - Turning plate wo/brake in Zinc-plated steel

## Measures



= -	d2	=	Rolling resistance (N) = 2000
B = 100	Dynamic carrying capacity (N) = 2200		s = 9
b1 = 75	H = 156		Type = RE.F8-125-SBL-N
b2 = 80	l1 = 45		Wight (g) = 890
b3 = 37	l2 = 60		
Code = 450566	l3 = 38		
D = 125	L = 85		
d1 =	R	=	